



Register Online!
(see page 2)

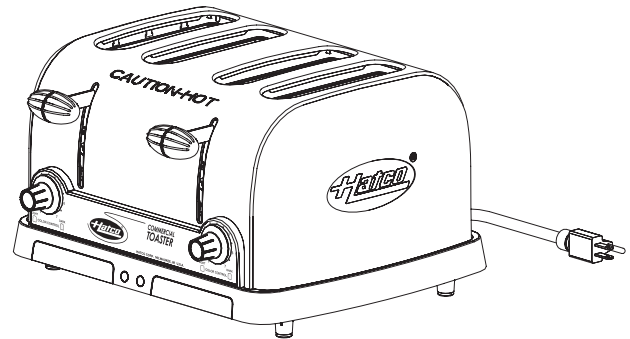
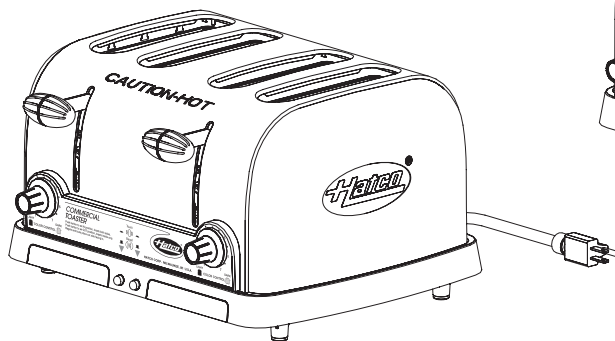
S'inscrire en ligne!
(voir page 11)



Pop-Up Toasters Grille-pain à éjection automatique

TPT Series/Série

Installation and Operating Manual Manuel d'installation et d'utilisation



⚠ WARNING

Do not operate this equipment unless you have read and understood the contents of this manual! Failure to follow the instructions contained in this manual may result in serious injury or death. This manual contains important safety information concerning the maintenance, use, and operation of this product. If you're unable to understand the contents of this manual, please bring it to the attention of your supervisor. Keep this manual in a safe location for future reference.

English = p 2

⚠ ADVERTENCIA

No opere este equipo al menos que haya leído y comprendido el contenido de este manual! Cualquier falla en el seguimiento de las instrucciones contenidas en este manual puede resultar en un serio lesión o muerte. Este manual contiene importante información sobre seguridad concerniente al mantenimiento, uso y operación de este producto. Si usted no puede entender el contenido de este manual por favor pregunte a su supervisor. Almacenar este manual en una localización segura para la referencia futura.

⚠ AVERTISSEMENT

Ne pas utiliser cet équipement sans avoir lu et compris le contenu de ce manuel ! Le non-respect des instructions contenues dans ce manuel peut entraîner de graves blessures ou la mort. Ce manuel contient des informations importantes concernant l'entretien, l'utilisation et le fonctionnement de ce produit. Si vous ne comprenez pas le contenu de ce manuel, veuillez le signaler à votre supérieur. Conservez ce manuel dans un endroit sûr pour pouvoir vous y référer plus tard.

Français = p 11

Important Owner Information..... 2
Introduction..... 2
Important Safety Information 3
Model Description 4
Specifications 5
 Plug Configurations 5
 Electrical Rating Chart..... 5
 Dimensions 5
Installation..... 6
 General 6

Operation..... 7
 General 7
Maintenance..... 8
 General 8
 Daily Cleaning 8
Troubleshooting Guide 9
Limited Warranty 10
Service Information..... 10
Authorized Parts Distributors Back Cover

IMPORTANT OWNER INFORMATION

Record the model number, serial number, voltage, and purchase date of the unit in the spaces below (specification label located on the bottom of the unit). Please have this information available when calling Hatco for service assistance.

Model No. _____

Serial No. _____

Voltage _____

Date of Purchase _____

Register your unit!

Completing online warranty registration will prevent delay in obtaining warranty coverage. Access the Hatco website at www.hatcocorp.com, select the *Parts & Service* pull-down menu, and click on "Warranty Registration".

Business Hours: 7:00 AM to 5:00 PM Central Standard Time (CST)
(Summer Hours: June to September—
7:00 AM to 5:00 PM CST Monday–Thursday
7:00 AM to 4:00 PM CST Friday)

Telephone: 800-558-0607; 414-671-6350

E-mail: partsandservice@hatcocorp.com



24 Hour 7 Day Parts and Service Assistance available in the United States and Canada by calling 800-558-0607.

Additional information can be found by visiting our web site at www.hatcocorp.com.

INTRODUCTION

The Hatco Pop-Up Toaster is perfect for self-serve buffet areas, lighter volume restaurants, diners, and cafes. The unit evenly toasts a variety of bread products including bagels, texas toast, waffles, and english muffins. The Pop-Up Toaster makes a great addition to your conveyor toaster for those non-peak periods when an occasional order of toast is needed.

The Pop-Up Toaster features a durable stainless steel housing, four self-centering extra-wide slots, individual toasting controls, removable crumb trays for easy cleaning, and a 6' (1829 mm) cord with plug.

The Hatco Pop-Up Toaster is a product of extensive research and field testing. The materials used were selected for maximum durability, attractive appearance, and optimum performance. Every unit is inspected and tested thoroughly prior to shipment.

This manual provides the installation, safety, and operating instructions for the Hatco Pop-Up Toaster. Hatco recommends all installation, operating, and safety instructions appearing in this manual be read prior to installation or operation of the unit.

Safety information that appears in this manual is identified by the following signal word panels:



WARNING indicates a hazardous situation which, if not avoided, could result in death or serious injury.



CAUTION indicates a hazardous situation which, if not avoided, could result in minor or moderate injury.



NOTICE is used to address practices not related to personal injury.



Read the following important safety information before using this equipment to avoid serious injury or death and to avoid damage to equipment or property.

WARNING**ELECTRIC SHOCK HAZARD:**

- Plug unit into a properly grounded electrical receptacle of correct voltage, size, and plug configuration. If plug and receptacle do not match, contact a qualified electrician to determine and install proper voltage and size electrical receptacle.
- Unplug power cord and allow unit to cool before performing maintenance, cleaning, or attempting to clear a jam.
- DO NOT submerge or saturate with water. Unit is not waterproof. Do not operate if unit has been submerged or saturated with water.
- Unit is not weatherproof. Locate unit indoors where the ambient air temperature is a minimum of 70°F (21°C).
- Do not pull unit by power cord.
- Discontinue use if power cord is frayed or worn.
- Do not attempt to repair or replace a damaged power cord. Cord must be replaced by Hatco, an Authorized Hatco Service Agent, or a person with similar qualifications.
- Do not steam clean or use excessive water on unit.
- This unit is not “jet-proof” construction. Do not use jet-clean spray to clean unit.
- NEVER insert a knife, fork, or similar object into toasting chamber.
- Do not pick up toaster by inserting fingers into toaster slots and grasping heating elements.
- Do not clean unit when it is energized or hot.
- Do not allow liquids to spill into unit.
- Unit must be serviced by qualified personnel only. Service by unqualified personnel may lead to electric shock or burn.

FIRE HAZARD:

- Locate unit a minimum of 1” (25 mm) from combustible walls and materials. If safe distances are not maintained, combustion or discoloration could occur.
- Do not place anything on top of toaster. Do not place toaster near or underneath curtains or other combustible materials. Items near or on top of toaster could catch fire causing injury and/or damage to the toaster.

EXPLOSION HAZARD: Do not store or use gasoline or other flammable vapors or liquids in the vicinity of this or any other appliance.

WARNING

In case of fire, disconnect toaster from power source immediately. This allows unit to cool, making it easier and safer to put out the fire.

Make sure all operators have been instructed on the safe and proper use of the unit.

This unit is not intended for use by children or persons with reduced physical, sensory, or mental capabilities. Ensure proper supervision of children and keep them away from unit.

This unit has no “user-serviceable” parts. If service is required on this unit, contact an Authorized Hatco Service Agent or contact the Hatco Service Department at 800-558-0607 or 414-671-6350.

CAUTION**BURN HAZARD:**

- Some exterior surfaces on unit will get hot. Use caution when touching these areas.
- Do not remove crumb trays for cleaning until toaster is cool.

Locate unit at proper counter height in an area that is convenient for use. Location should be level to prevent unit or its contents from falling accidentally and strong enough to support weight of unit and contents.

Always operate toaster with crumb trays installed.

Toasting of coated or buttered products such as garlic bread, cheese sandwiches, and sweet rolls is NOT recommended. Residue will reduce toaster performance and could ignite inside toaster. Using toaster with food products listed above will void unit warranty.

NOTICE

Do not lay unit on the side with the control panel or damage to the unit could occur.

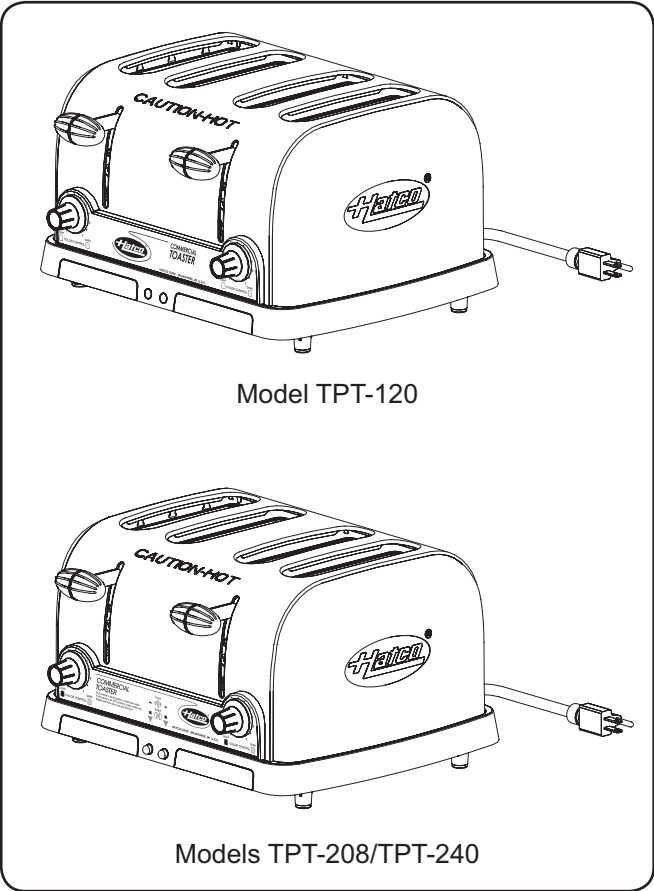
Use non-abrasive cleaners and cloths only. Abrasive cleaners and cloths could scratch finish of unit, marring its appearance and making it susceptible to soil accumulation.

This unit is intended for commercial use only — NOT for household use.

Clean unit daily to avoid malfunctions and maintain sanitary operation.

All Models

Hatco Pop-Up Toasters are perfect for buffet areas and lighter volume restaurants. The TPT series toasters have four self-centering, extra wide slots with individual progressive toasting controls. Models TPT-208 and TPT-240 are equipped with bagel/bun buttons for one-sided toasting. The durable stainless steel housing contains removable crumb trays for easy cleaning.



TPT Series Pop-Up Toasters

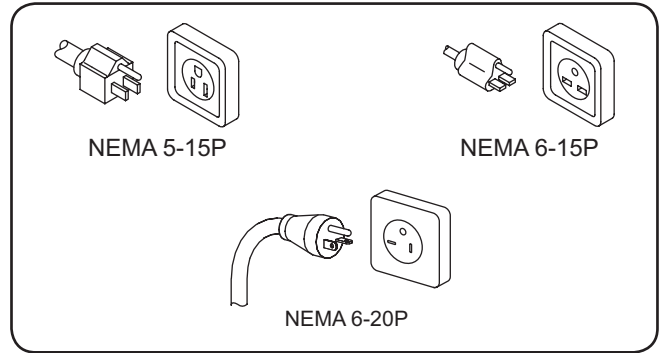
Plug Configurations

Units are supplied from the factory with an electrical cord and plug installed. Plugs are supplied according to the application.



ELECTRIC SHOCK HAZARD: Plug unit into a properly grounded electrical receptacle of correct voltage, size, and plug configuration. If plug and receptacle do not match, contact a qualified electrician to determine and install proper voltage and size electrical receptacle.

NOTE: Specification label located on the bottom of the unit. See label for serial number and verification of unit electrical information.



Plug Configurations

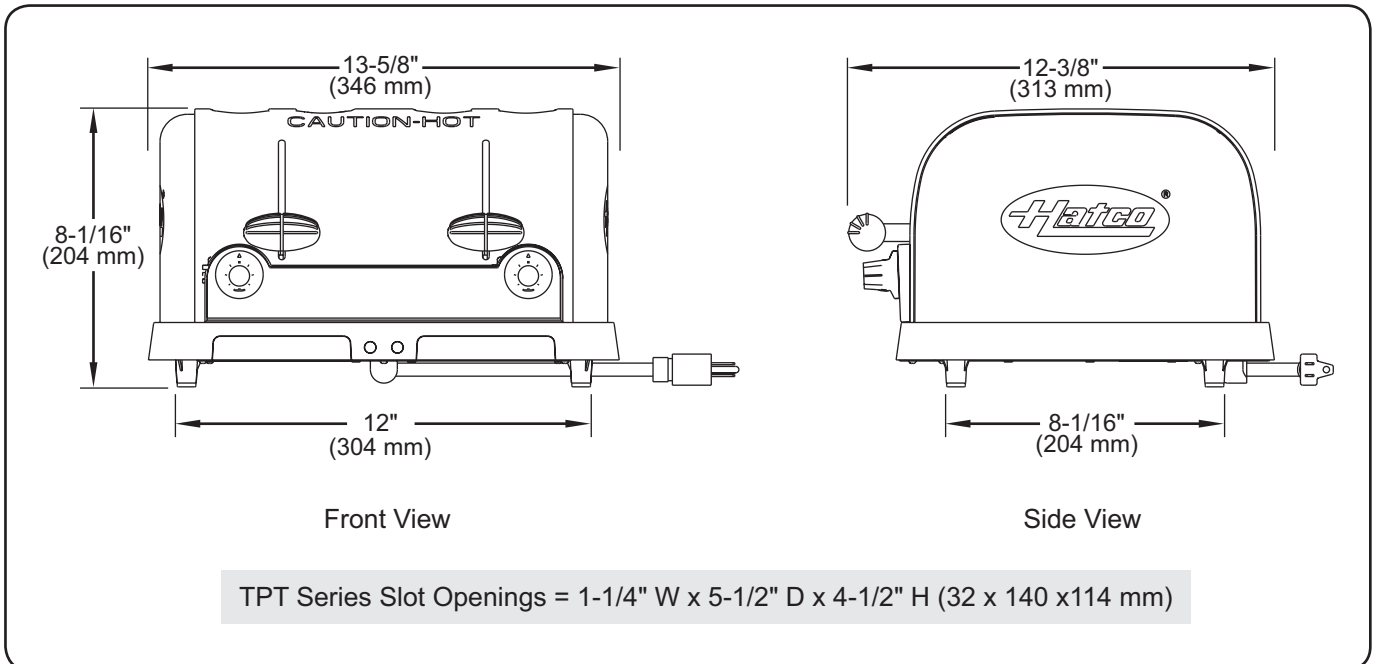
NOTE: Receptacle not supplied by Hatco.

Electrical Rating Chart

Model	Voltage	Watts	Amps	Plug Configuration	Shipping Weight
TPT-120 (US)	120	1800	15.0	NEMA 5-15P	15 lbs. (7 kg)
TPT-120 (CAN)		1440	12.0		
TPT-208	208	2600	12.5	NEMA 6-15P*	
TPT-240	240		10.8	NEMA 6-15P	

* NEMA 6-20P for Canada.

Dimensions



TPT Series Slot Openings = 1-1/4" W x 5-1/2" D x 4-1/2" H (32 x 140 x114 mm)

General

The Pop-Up Toaster is shipped with all components pre-assembled. Care should be taken when unpacking the shipping carton to avoid damage to the unit and the components enclosed.



ELECTRIC SHOCK HAZARD: Unit is not weatherproof. Locate unit indoors where ambient air temperature is a minimum of 70°F (21°C).

EXPLOSION HAZARD: Do not store or use gasoline or other flammable vapors or liquids in the vicinity of this or any other appliance.

FIRE HAZARD:

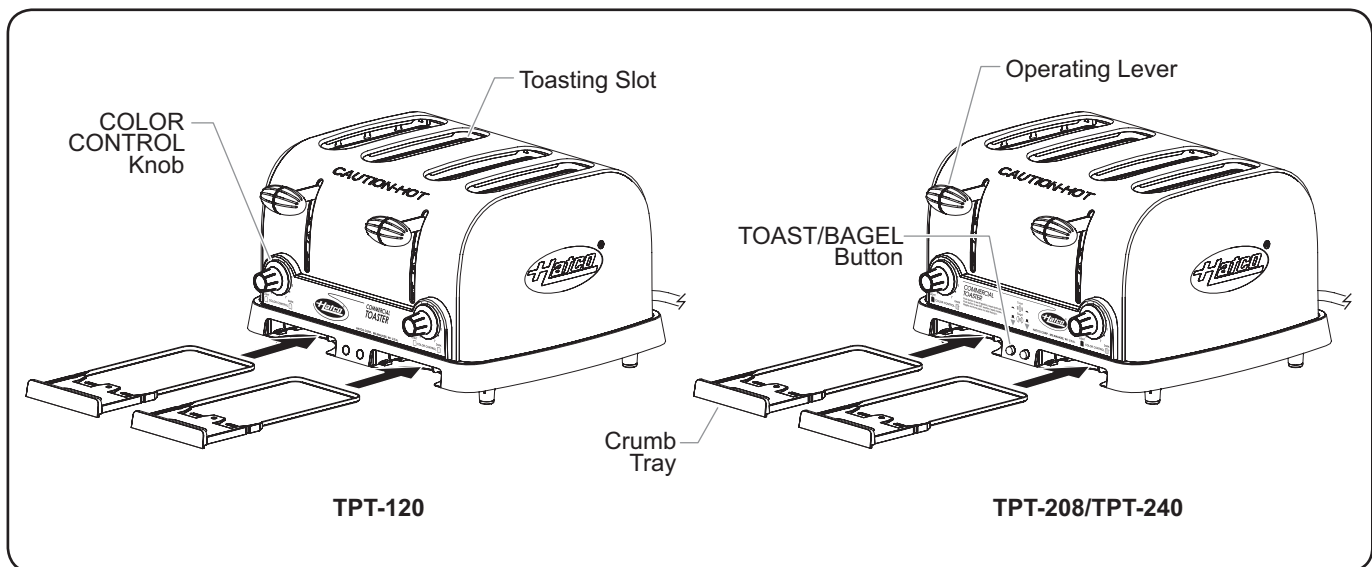
- Locate unit a minimum of 1" (25 mm) from combustible walls and materials. If safe distances are not maintained, combustion or discoloration could occur.
- Do not place anything on top of toaster. Do not place toaster near or underneath curtains or other combustible materials. Items near or on top of toaster could catch fire causing injury and/or damage to toaster.

NOTE: TPT Series toasters require a dedicated circuit.

1. Remove the unit from the carton.

NOTE: To prevent delay in obtaining warranty coverage, complete online warranty registration. See the IMPORTANT OWNER INFORMATION section for details.

2. Remove tape and protective packaging from all surfaces of the unit.
3. Place the unit in the desired location.
 - Locate the unit in an area where the ambient air temperature is constant and a minimum of 70°F (21°C). Avoid areas that may be subject to active air movements or currents (i.e., near exhaust fans/hoods, air conditioning ducts, and exterior doors).
 - Make sure the unit is at the proper counter height in an area convenient for use.
 - Make sure the countertop is level and strong enough to support the weight of the unit and food product.
 - Make sure all the feet on the bottom of the unit are positioned securely on the countertop.



Components

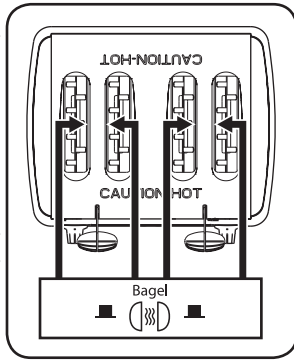
General

The Pop-Up Toaster is designed for ease of operation. Perform the following procedure to operate the toaster.



Read all safety messages in the IMPORTANT SAFETY INFORMATION section before operating this equipment.

1. Plug the unit into a properly grounded electrical receptacle of the correct voltage, size, and plug configuration. See the SPECIFICATIONS section for details.
2. Set the COLOR CONTROL knob(s) to the desired toast darkness setting. The "1" setting on the COLOR CONTROL knobs represents the lightest toast setting and the "7" setting represents the darkest.
3. For TPT-208 and TPT-240 toasters, make sure the TOAST/BAGEL button(s) is in the correct position. Push the TOAST/BAGEL button(s) to change its setting, if necessary.
 - When the TOAST/BAGEL button(s) is in the TOAST position (depressed), both heating elements in each toasting slot will energize to toast both sides of the product.
 - When the TOAST/BAGEL button(s) is in the BAGEL position (released), only the inner heating elements in each pair of toasting slots will energize to toast the inner side of the product.
4. Place bread product in toasting slot(s). If toasting only one side of the product, make sure to place the toasting side toward the center of each pair of toasting slots.



5. Push down on the operating lever(s) to lower product into the toaster.
 - As soon as the operating lever is pushed down, the heating elements inside the toaster energize and begin heating.



BURN HAZARD: Some exterior surfaces on unit will get hot. Use caution when touching these areas.

- When the toasting cycle is complete, the heating elements shut off and the operating lever(s) rises automatically.

NOTE: The operating lever(s) can be lifted manually during toasting for product removal.



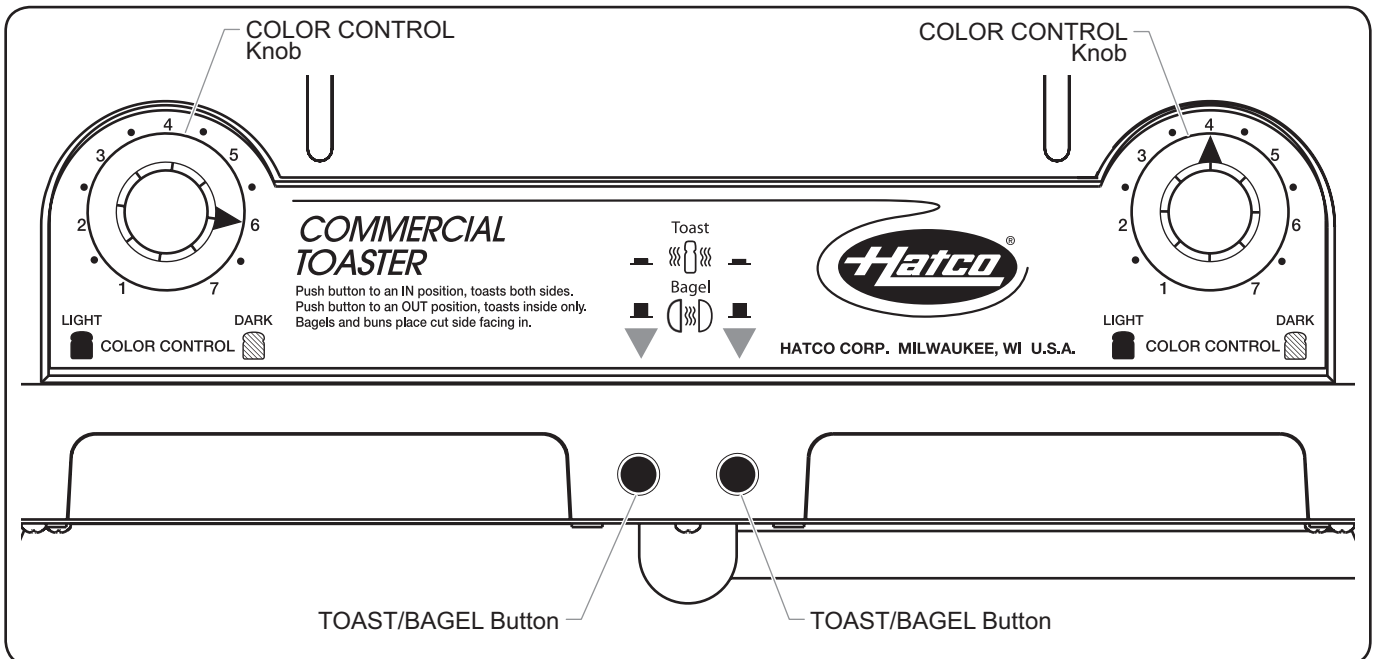
ELECTRIC SHOCK HAZARD:

- Unplug power cord and allow unit to cool before performing maintenance, cleaning, or attempting to clear a jam.
 - NEVER insert a knife, fork, or similar object into toasting chamber.
6. Remove and empty the crumb trays periodically in between toasting cycles.



Always operate toaster with crumb trays installed.

Toasting of coated or buttered products such as garlic bread, cheese sandwiches, and sweet rolls is NOT recommended. Residue will reduce toaster performance and could ignite inside toaster. Using toaster with food products listed above will void unit warranty.



TPT-208 and TPT-240 Control Panel

General

The Pop-Up Toaster is designed for maximum durability and performance with minimum maintenance.



ELECTRIC SHOCK HAZARD:

- Unplug power cord and allow unit to cool before performing cleaning, adjustments, maintenance, or attempting to clear a jam.
- **DO NOT** submerge or saturate with water. Unit is not waterproof. Do not operate if unit has been submerged or saturated with water.
- This unit is not “jet-proof” construction. Do not use jet-clean spray to clean this unit.
- Do not steam clean or use excessive water on unit.
- Do not allow liquids to spill into unit.
- Unit must be serviced by qualified personnel only. Service by unqualified personnel may lead to electric shock or burn.

This unit has no “user-serviceable” parts. If service is required on this unit, contact an Authorized Hatco Service Agent or contact the Hatco Service Department at 800-558-0607 or 414-671-6350.

NOTE: Submerging or saturating the unit with water will damage the unit and void the unit warranty.

Daily Cleaning

To preserve the finish of the toaster, it is recommended that the metal surfaces be wiped daily with a non-abrasive, damp cloth.



ELECTRIC SHOCK HAZARD: Do not clean unit when it is energized or hot.

1. Unplug the power cord and allow the unit to cool.
2. Remove and empty the crumb trays. **CAUTION! BURN HAZARD—Do not remove crumb trays for cleaning until toaster is cool.**
3. Wash the crumb trays with warm water and a mild detergent. Rinse with water.
4. Allow the crumb trays to air dry or hand dry with a soft cloth before placing back into the toaster.
5. Wipe the exterior surface of the toaster with a damp cloth. **NOTICE: Use non-abrasive cleaners and cloths only.**
6. Wipe dry with a clean, dry, non-abrasive cloth.



Unit must be serviced by qualified personnel only. Service by unqualified personnel may lead to electric shock or burn.



ELECTRIC SHOCK HAZARD: Unplug power cord and allow unit to cool before performing cleaning, adjustments, maintenance, or attempting to clear a jam.

Symptom	Probable Cause	Corrective Action
Toast too light.	COLOR CONTROL knob set on a light setting.	Turn COLOR CONTROL knob to a darker setting.
	Supply voltage to unit is low.	Verify the supply voltage to the toaster matches the unit specifications.
Toast too dark.	COLOR CONTROL knob set on a dark setting.	Turn COLOR CONTROL knob to a lighter setting.
	Supply voltage to unit is high.	Verify the supply voltage to the toaster matches the unit specifications.
Unit takes too long to toast.	The first few batches can take longer because the toaster needs time to heat up when initially turned on.	Push down the operation lever(s) for a toasting cycle before inserting bread product to allow the toaster to heat up.
	Supply voltage to unit is low.	Verify the supply voltage to the toaster matches the unit specifications.
Unit toasts on one side only.	TOAST/BAGEL button is in the BAGEL position (one-sided toasting).	Push the TOAST/BAGEL button to set it to the TOAST position (two-sided toasting).
	Heating element defective.	Visually check the heating element inside the toaster with the operation lever engaged. With the lever pushed down, the heating element should glow red. If the element does not glow, Contact Authorized Service Agent or Hatco for assistance.
Heating element does not come on at all when the operating lever is pushed down.	The switch may be broken.	Contact Hatco for assistance.
The operating lever does not latch.	Latch mechanism is broken.	Contact Hatco for assistance.
Toaster trips the circuit breaker or GFCI.	Circuit breaker is not sized properly for the toaster. <i>NOTE: TPT Series toasters require a dedicated circuit.</i>	Check circuit breaker for proper sizing.
	Wiring fault inside toaster.	Contact Hatco for assistance.

Troubleshooting Questions?

If you continue to have problems resolving an issue, please contact the nearest Authorized Hatco Service Agency or Hatco for assistance. To locate the nearest Service Agency, log onto the Hatco website at www.hatcocorp.com and click on *Find Service Agent*, or contact the **Hatco Parts and Service Team** at:

Telephone: 800-558-0607 or 414-671-6350

e-mail: partsandservice@hatcocorp.com

1. PRODUCT WARRANTY

Hatco warrants the products that it manufactures (the “Products”) to be free from defects in materials and workmanship, under normal use and service, for a period of one (1) year from the date of purchase when installed and maintained in accordance with Hatco’s written instructions or 18 months from the date of shipment from Hatco. Buyer must establish the Product’s purchase date by registering the Product with Hatco or by other means satisfactory to Hatco in its sole discretion.

Hatco warrants the following Product components to be free from defects in materials and workmanship from the date of purchase (subject to the foregoing conditions) for the period(s) of time and on the conditions listed below:

a) One (1) Year Parts and Labor PLUS One (1) Additional Year Parts-Only Warranty:

- Conveyor Toaster Elements (metal sheathed)
- Drawer Warmer Elements (metal sheathed)
- Drawer Warmer Drawer Rollers and Slides
- Strip Heater Elements (metal sheathed)
- Display Warmer Elements (metal sheathed air heating)
- Holding Cabinet Elements (metal sheathed air heating)
- Heated Well Elements—HW and HWB Series (metal sheathed)

b) Two (2) Year Parts and Labor Warranty:

- Induction Ranges

c) One (1) Year Parts and Labor PLUS Four (4) Years Parts-Only Warranty:

- 3CS and FR Tanks

d) One (1) Year Parts and Labor PLUS Nine (9) Years Parts-Only Warranty on:

- Electric Booster Heater Tanks
- Gas Booster Heater Tanks

e) Ninety (90) Day Parts-Only Warranty:

- Replacement Parts

THE FOREGOING WARRANTIES ARE EXCLUSIVE AND IN LIEU OF ANY OTHER WARRANTY, EXPRESSED OR IMPLIED, INCLUDING BUT NOT LIMITED TO ANY IMPLIED WARRANTY OF MERCHANTABILITY OR FITNESS FOR A PARTICULAR PURPOSE OR PATENT OR OTHER INTELLECTUAL PROPERTY RIGHT INFRINGEMENT. Without limiting the generality of the foregoing, SUCH WARRANTIES DO NOT COVER: Coated incandescent light bulbs, fluorescent lights, heat lamp bulbs, coated halogen light bulbs, halogen heat lamp bulbs, xenon light bulbs, LED light tubes, glass components, and fuses; Product failure in booster tank, fin tube heat exchanger, or other water heating equipment caused by liming, sediment buildup, chemical attack, or freezing; or Product misuse, tampering or misapplication, improper installation, or application of improper voltage.

2. LIMITATION OF REMEDIES AND DAMAGES

Hatco’s liability and Buyer’s exclusive remedy hereunder will be limited solely, at Hatco’s option, to repair or replacement using new or refurbished parts or Product by Hatco or a Hatco-authorized service agency (other than where Buyer is located outside of the United States, Canada, United Kingdom, or Australia, in which case Hatco’s liability and Buyer’s exclusive remedy hereunder will be limited solely to replacement of part under warranty) with respect to any claim made within the applicable warranty period referred to above. Hatco reserves the right to accept or reject any such claim in whole or in part. In the context of this Limited Warranty, “refurbished” means a part or Product that has been returned to its original specifications by Hatco or a Hatco-authorized service agency. Hatco will not accept the return of any Product without prior written approval from Hatco, and all such approved returns shall be made at Buyer’s sole expense. HATCO WILL NOT BE LIABLE, UNDER ANY CIRCUMSTANCES, FOR CONSEQUENTIAL OR INCIDENTAL DAMAGES, INCLUDING BUT NOT LIMITED TO LABOR COSTS OR LOST PROFITS RESULTING FROM THE USE OF OR INABILITY TO USE THE PRODUCTS OR FROM THE PRODUCTS BEING INCORPORATED IN OR BECOMING A COMPONENT OF ANY OTHER PRODUCT OR GOODS.

SERVICE INFORMATION

United States and Canada

The warranty on Hatco TPT Series Toasters is for one (1) year from date of purchase or 18 months from date of shipping from Hatco, whichever occurs first.

Warranty Problems

If you experience a problem with a TPT toaster during the warranty period, contact the **Hatco Parts and Service Team** at:

Telephone: 1-800-558-0607 or 414-671-6350

When contacting Hatco for warranty service, please supply the following information:

- Model of unit
- Serial number (located on the bottom of the unit)
- Specific problem with the unit
- Date of purchase
- Name of business
- Shipping address
- Contact name and phone number

Non-Warranty Problems

If you experience a non-warranty problem that requires assistance, please contact the nearest Authorized Hatco Service Agency.

To locate the nearest Service Agency, log onto our website at **www.hatcocorp.com**, select the *Support* pull-down menu, and click on “Find A Service Agent”; or contact the **Hatco Parts and Service Team** by phone/e-mail.

Informations Importantes pour le Propriétaire	11	Mode d'emploi	16
Introduction	11	Généralités	16
Consignes de Sécurité Importantes	12	Maintenance	17
Description du Modèle	13	Généralités	17
Caractéristiques Techniques	14	Nettoyage quotidien.....	17
Configuration des fiches	14	Guide de Dépannage	18
Tableau des valeurs nominales électriques	14	Garantie Limitée	19
Dimensions.....	14	Informations de Service	19
Installation	15	Autorisés Distributeurs de Pièces	Couverture Arrière
Généralités	15		

INFORMATIONS IMPORTANTES POUR LE PROPRIÉTAIRE

Notez le numéro de modèle, le numéro de série, la tension et la date d'achat de l'appareil dans les espaces ci-dessous (étiquette des caractéristiques techniques située sur le dessous de l'appareil). Veuillez avoir cette information à portée de la main si vous appelez Hatco pour assistance.

Modèle No. _____

Numéro de série _____

Voltage _____

Date d'achat _____

Enregistrez votre appareil!

Remplissez la garantie en ligne pour éviter les retards pour faire jouer la garantie. Accédez au site Web Hatco www.hatcocorp.com, sélectionnez le menu déroulant Parts & Service, puis cliquez sur Warranty Registration.

Horaires

ouvrables: 7h00 à 17h00
 Heure du Centre des États-Unis (CST)
 (Horaires d'été : juin à septembre—
 7h00 à 17h00 CST du lundi au jeudi
 7h00 à 16h00 CST le vendredi)

Téléphone: 800-558-0607; 414-671-6350

Courriel: partsandservice@hatcocorp.com



Service d'assistance et de pièces de rechange disponible 7j/7, 24h/24 aux États-Unis et au Canada en composant le 800-558-0607.

Des renseignements supplémentaires sont disponibles sur notre site Web à www.hatcocorp.com.

INTRODUCTION

Les grille-pain à éjection automatique Hatco sont parfaitement adaptés aux emplacements de buffets et aux restaurants à faible capacité, aux diners et aux cafés. L'appareil grille uniformément plusieurs types de pain, notamment les bagels, les toasts, les gaufres et les muffins. Le grille-pain à éjection automatique complète parfaitement votre grille-pain à convoyeur en périodes basses lorsqu'une commande supplémentaire de toasts est nécessaire.

Le grille-pain à éjection automatique comprend une structure solide en acier inoxydable, quatre fentes extra larges au centrage automatique, des commandes de grillage individuelles, des tiroirs ramasse-miettes amovibles pour faciliter l'entretien et un cordon d'alimentation de 1 829 mm (6 pieds) muni d'une fiche.

Le grille-pain à éjection automatique Hatco est un produit issu d'une recherche approfondie et testé en conditions réelles. Les matériaux utilisés ont été sélectionnés afin de garantir une durée de vie maximale, un design attractif et des performances optimales. Chaque unité est inspectée et testée minutieusement avant d'être expédiée.

Ce manuel fournit les instructions d'installation, de sécurité et d'utilisation pour le grille-pain à éjection automatique. Hatco vous recommande de lire l'ensemble des instructions d'installation, de sécurité et d'utilisation fournies dans ce manuel avant d'installer et d'utiliser l'appareil.

Les consignes de sécurité qui apparaissent dans ce manuel sont identifiées par les mots indicateurs suivants :

AVERTISSEMENT

AVERTISSEMENT indique une situation dangereuse qui, si elle n'est pas évitée, peut provoquer la mort ou des blessures graves.

ATTENTION

ATTENTION indique une situation dangereuse qui, si elle n'est pas évitée, peut provoquer des blessures légères ou moyennes.

AVIS

AVIS est utilisé pour des questions sans rapport avec des blessures corporelles.



Lisez les consignes de sécurité importantes suivantes avant d'utiliser cet équipement pour éviter toute blessure grave ou la mort et pour éviter d'endommager l'équipement ou la propriété.

⚠ AVERTISSEMENT

DANGER DE DÉCHARGE ÉLECTRIQUE :

- Brancher l'appareil sur une prise électriques avec terre de tension, de format et de configuration des broches corrects. Si la fiche et la prise électriques ne se correspondent pas, s'adresser à un électricien qualifié pour déterminer et installer une prise électrique de format et de tension corrects.
- Débranchez le câble d'alimentation et laissez l'appareil refroidir avant d'effectuer le nettoyage, l'entretien ou d'essayer de retirer un élément bloqué à l'intérieur.
- NE PAS immerger dans l'eau ou mouiller abondamment. L'appareil n'est pas étanche. N'allumez pas l'appareil s'il a été immergé ou mouillé abondamment.
- L'appareil n'est pas étanche. Placez l'appareil à l'intérieur dans une zone dont la température ambiante est au minimum de 21 °C (70 °F).
- Ne tirez pas l'unité par le cordon d'alimentation.
- Interrompez l'utilisation de l'appareil si le cordon d'alimentation est effiloché ou usé.
- N'essayez jamais de réparer ou de remplacer un cordon d'alimentation. Celui-ci devra être remplacé par Hatco, un agent de service agréé par Hatco ou une personne possédant des qualifications similaires.
- Ne nettoyez pas l'appareil à la vapeur et n'utilisez pas de l'eau en quantité excessive.
- L'appareil n'est pas résistant aux projections. N'utilisez pas de pulvérisation de jets nettoyants pour nettoyer l'appareil.
- N'insérez JAMAIS un couteau, une fourchette ou un objet similaire dans la chambre de grillage.
- Ne manipulez pas le grille-pain en insérant vos doigts dans les fentes ni en saisissant les éléments chauffants.
- Ne nettoyez pas l'appareil tant qu'il est branché ou chaud.
- Ne reversez pas de liquides dans l'appareil.
- Cet appareil doit uniquement être réparé par un personnel qualifié. Toute réparation par un personnel non qualifié peut entraîner une électrocution et des brûlures.

DANGER D'INCENDIE :

- Placez l'unité à au moins 25 mm (1") de murs ou de matières inflammables. Si ces distances de sécurité ne sont pas respectées, une décoloration ou une combustion peut se produire.
- Ne posez rien sur le grille-pain. Ne placez pas le grille-pain à proximité ou en dessous de rideaux ou d'autres matériaux inflammables. Les éléments situés à proximité du grille-pain ou sur celui-ci peuvent prendre feu et entraîner des blessures et/ou endommager le grille-pain.

RISQUE D'EXPLOSION : Ne conservez pas ou n'utilisez pas d'essence ou d'autres vapeurs ou liquides inflammables à proximité de ces plaques ou de tout autre appareil.

⚠ AVERTISSEMENT

En cas d'incendie, débranchez immédiatement le grille-pain. L'appareil pourra alors refroidir, et il sera plus facile et plus sûr d'éteindre l'incendie.

Assurez-vous que tous les utilisateurs ont reçu des instructions sur une utilisation sûre et adéquate de l'appareil.

Cet appareil n'est pas conçu pour être utilisé par des enfants ou des personnes dont les capacités physiques, sensorielles ou mentales sont limitées. Ne laissez pas les enfants sans surveillance et maintenez-les à l'écart de l'appareil.

Cet appareil ne contient aucune pièce réparable par l'utilisateur. Si cet appareil doit être réparé, contacter un réparateur Hatco agréé ou le Service après-vente Hatco au 800-558-0607 ou 414-671-6350.

⚠ ATTENTION

DANGER DE BRÛLURE :

- Certaines surfaces extérieures de l'appareil deviennent chaudes. Toucher ces zones de l'appareil avec précaution.
- Veuillez retirer les tiroirs ramasse-miettes pour les laver uniquement lorsque l'appareil est froid.

Placez l'appareil sur un plan de travail dont la hauteur est appropriée, à un emplacement pratique à utiliser. L'emplacement doit être plat pour éviter que l'appareil ou son contenu ne tombent accidentellement, et suffisamment solide pour supporter le poids de l'appareil et de son contenu.

Veuillez vous servir du grille-pain uniquement lorsque les tiroirs ramasse-miettes sont installés dans l'appareil.

Il est déconseillé de griller des produits enrobés ou beurrés, comme du pain à l'ail, des tartines au fromage ou des brioches. Les résidus réduiront la performance du grille-pain et pourraient l'enflammer. L'utilisation du grille-pain pour griller les aliments cités précédemment annulera la garantie de l'appareil.

AVIS

Ne pas poser l'appareil sur le côté comportant le panneau de commande, cela risquerait de l'endommager.

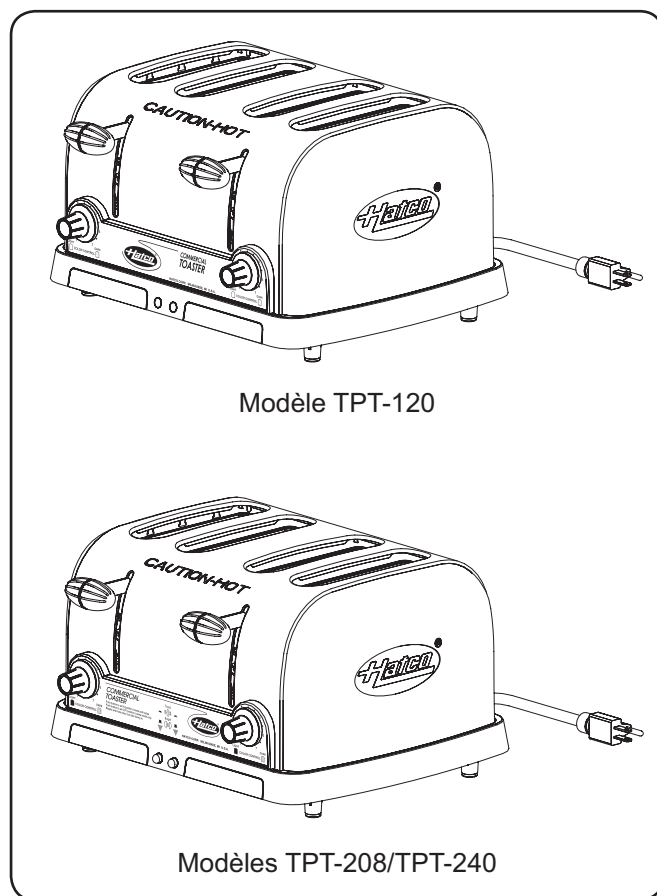
Utilisez uniquement des nettoyants non abrasifs et des chiffons doux. Les chiffons et nettoyant abrasifs pourraient rayer la finition de l'unité, altérant son apparence et la rendant vulnérable à l'accumulation de saleté.

Cet appareil est réservé à un usage professionnel uniquement — il ne convient PAS à un usage personnel.

Nettoyez l'unité quotidiennement pour éviter les dysfonctionnements et assurer un fonctionnement sain.

Tous les Modèles

Les grille-pain à éjection automatique Hatco sont parfaitement adaptés aux emplacements de buffets et aux restaurants à faible capacité. Les grille-pain de la gamme TPT disposent de quatre fentes extra larges au centrage automatique avec commandes individuelles de grillage progressives. Les modèles TPT-208 et TPT-240 sont équipés de boutons toast/bagel pour la grille d'une seule face. La structure solide en acier inoxydable contient des tiroirs ramasse-miettes amovibles pour faciliter l'entretien.



Grille-pain à éjection automatique de la gamme TPT

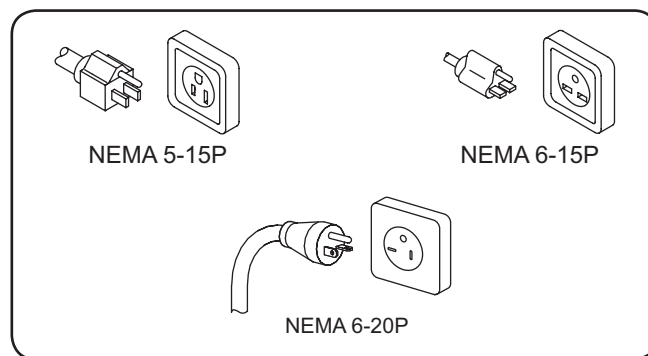
Configuration des fiches

Les appareils sont fournis par l'usine avec un cordon et une fiche. Les fiches fournies correspondent à leur application.

⚠ AVERTISSEMENT

DANGER DE DÉCHARGE ÉLECTRIQUE: Brancher l'appareil sur une prise électriques avec terre de tension, de format et de configuration des broches corrects. Si la fiche et la prise électriques ne se correspondent pas, s'adresser à un électricien qualifié pour déterminer et installer une prise électrique de format et de tension corrects.

NOTA: Étiquette de caractéristiques techniques située sur le dessous de l'appareil. Consultez l'étiquette pour connaître le numéro de série et vérifier les caractéristiques électriques de l'appareil.



Configuration des fiches

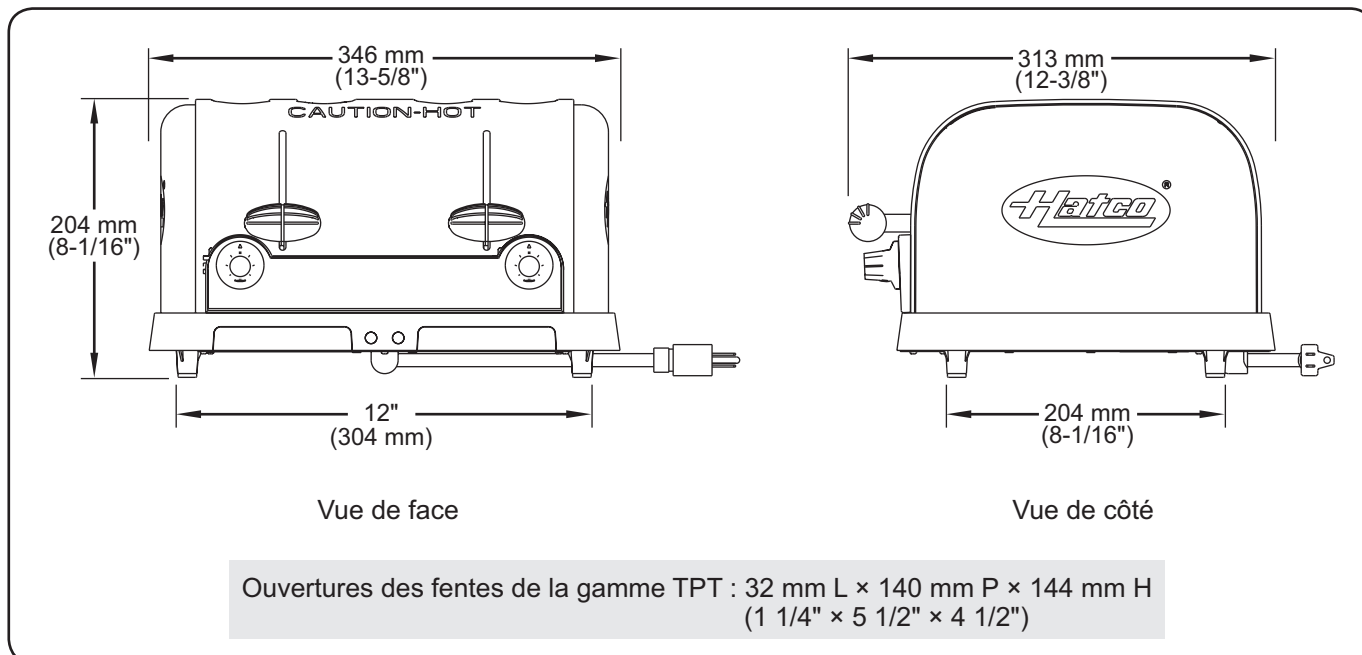
NOTA: La prise murale n'est pas fournie par Hatco.

Tableau des valeurs nominales électriques

Modèle	Tension	Intensité	Amps	Configuration de Fiches	Poids d'embarquement
TPT-120 (US)	120	1800	15.0	NEMA 5-15P	7 kg (15 lbs.)
TPT-120 (CAN)		1440	12.0		
TPT-208	208	2600	12.5	NEMA 6-15P*	
TPT-240	240		10.8	NEMA 6-15P	

* NEMA 6-20P pour le Canada.

Dimensions



Généralités

Le grille-pain à éjection automatique est fourni avec la plupart des composants pré-assemblés. Veillez à ne pas endommager l'appareil ou ses composants lors du déballage du carton d'expédition.

AVERTISSEMENT

DANGER DE DÉCHARGE ÉLECTRIQUE: L'appareil n'est pas étanche. Placez l'appareil à l'intérieur dans une zone dont la température ambiante est de 21 °C (70 °F) minimum.

RISQUE D'EXPLOSION : Ne conservez pas ou n'utilisez pas d'essence ou d'autres vapeurs ou liquides inflammables à proximité de ces plaques ou de tout autre appareil.

DANGER D'INCENDIE :

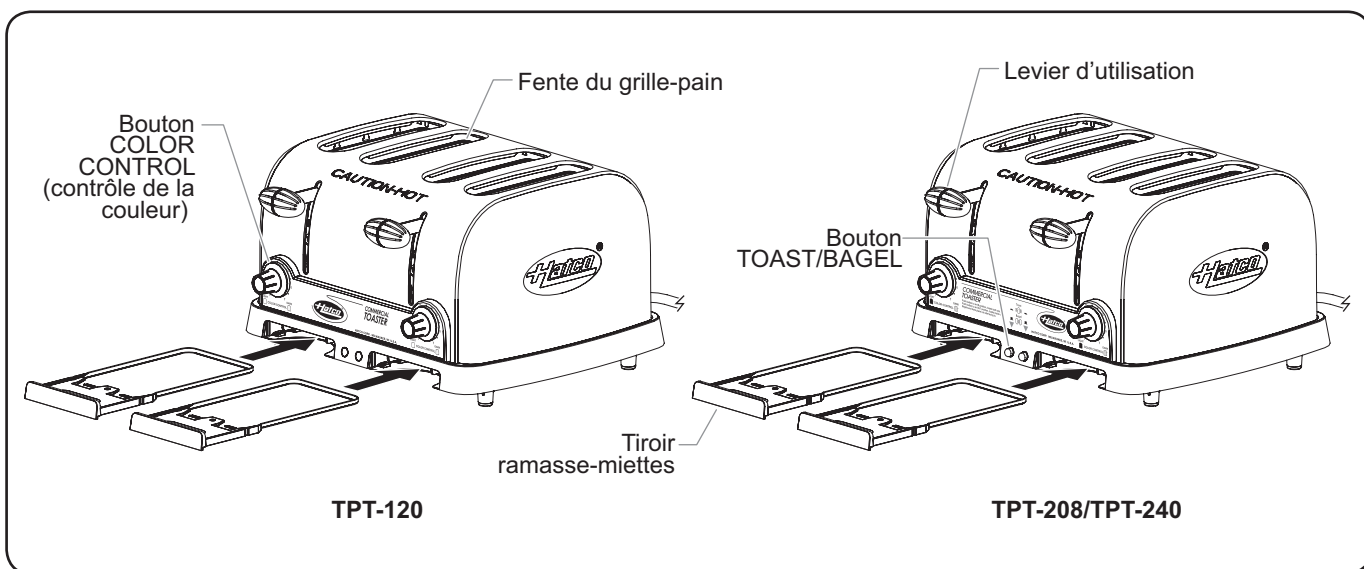
- Placez l'unité à au moins 25 mm (1") de murs ou de matières inflammables. Si ces distances de sécurité ne sont pas respectées, une décoloration ou une combustion peut se produire.
- Ne posez rien sur le grille-pain. Ne placez pas le grille-pain à proximité ou en dessous de rideaux ou d'autres matériaux inflammables. Les éléments situés à proximité du grille-pain ou sur celui-ci peuvent prendre feu et entraîner des blessures et/ou endommager le grille-pain.

NOTA: Les grille-pain de la gamme TPT requièrent un circuit dédié.

1. Sortir l'appareil de sa boîte.

NOTA: Pour éviter des retards dans l'obtention de la couverture de la garantie, complétez l'enregistrement en ligne de votre garantie. Lisez la section INFORMATIONS IMPORTANTES POUR LE PROPRIÉTAIRE pour plus de détails.

2. Retirez le ruban et l'emballage de protection de toutes les surfaces de l'appareil.
3. Placez l'unité à l'emplacement souhaité.
 - Placez l'appareil dans une zone dont la température ambiante est constante (21 °C [70 °F] minimum). Évitez les zones pouvant être soumises à des mouvements d'air ou à des courants d'air actifs (c.-à-d. à proximité des ventilateurs/capots d'échappement, des conduites de climatisation, et portes extérieures).
 - Assurez-vous que l'unité est placée à une hauteur appropriée dans une zone facilitant son utilisation.
 - Veillez à ce que le comptoir soit plat et suffisamment solide pour supporter le poids de l'appareil et des aliments.
 - Veuillez vous assurer que tous les pieds en-dessous de l'appareil sont fermement positionnés sur le comptoir.



Composants

Généralités

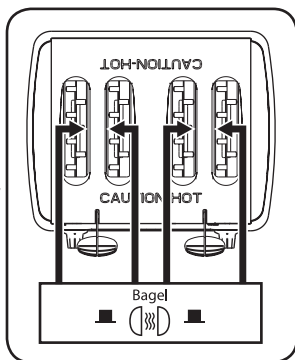
Le grille-pain à éjection automatique est conçu pour permettre une utilisation facile. Suivre la procédure suivante pour faire fonctionner l'appareil.

⚠ AVERTISSEMENT

Lire tous les messages de sécurité de la section CONSIGNES DE SÉCURITÉ IMPORTANTES avant d'utiliser ce matériel.

1. Branchez l'appareil à une prise de courant reliée à la terre de voltage, de taille et de configuration de fiche corrects. Consultez les CARACTÉRISTIQUES TECHNIQUES pour plus d'informations.
2. Réglez les boutons COLOR CONTROL (contrôle de la couleur) en fonction de la couleur du pain souhaitée. Le réglage « 1 » sur les boutons de contrôle de la couleur représente la couleur de pain la plus claire et le réglage « 7 » représente la plus foncée.
3. Pour les grille-pain TPT-208 et TPT-240, assurez-vous que les boutons toast/bagel sont dans la bonne position. Enfoncez les boutons toast/bagel pour changer le réglage, si nécessaire.

- Lorsque le(s) bouton(s) TOAST/BAGEL est(sont) sur la position TOAST (enfoncé), les deux parties chauffantes dans chaque fente du grille-pain vont se mettre en marche pour griller les deux côtés du produit.



- Lorsque le(s) bouton(s) TOAST/BAGEL est(sont) sur la position BAGEL (relâché), seules les parties chauffantes intérieures dans chaque paire de fentes du grille-pain vont se mettre en marche pour griller le côté intérieur du produit.

4. Placez du pain dans les fentes du grille-pain. Pour ne griller qu'un seul côté du produit, assurez-vous de placer le côté à griller au centre de chaque paire de fentes du grille-pain.

5. Enfoncez le ou les levier(s) d'utilisation pour placer le pain dans le grille-pain.

- Dès que le levier d'utilisation est enfoncé, les éléments chauffants dans le grille-pain s'allument et commencent à chauffer.

⚠ ATTENTION

DANGER DE BRÛLURE : Certaines surfaces extérieures de l'appareil deviennent chaudes. Toucher ces zones de l'appareil avec précaution.

- Une fois le cycle de grillage terminé, les éléments chauffants s'éteignent et le ou les leviers d'utilisation se lèvent automatiquement.

NOTA: Il est possible de soulever manuellement le ou les leviers d'utilisation lors du grillage, afin de retirer le pain.

⚠ AVERTISSEMENT

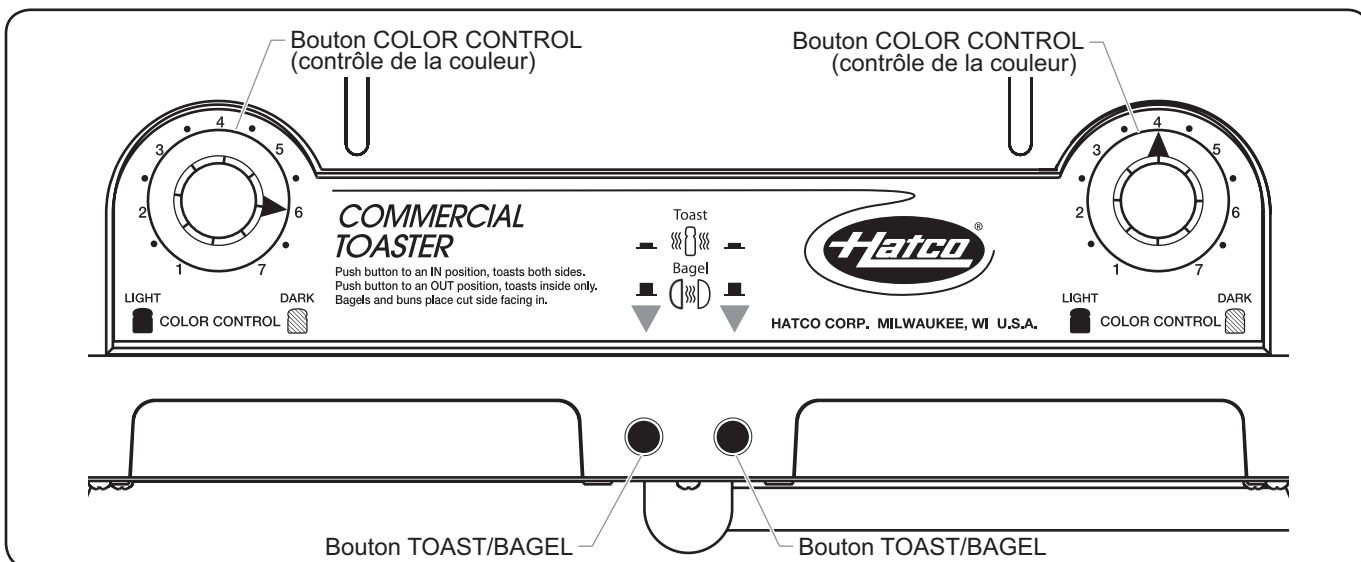
DANGER DE DÉCHARGE ÉLECTRIQUE :

- Débranchez le câble d'alimentation et laissez l'appareil refroidir avant d'effectuer le nettoyage, l'entretien ou d'essayer de retirer un élément bloqué à l'intérieur.
 - N'insérez JAMAIS un couteau, une fourchette ou un objet similaire dans la chambre de grillage.
6. Retirez et videz régulièrement les tiroirs ramasse-miettes entre les cycles de grillage.

⚠ ATTENTION

Utilisez toujours le grille-pain lorsque le tiroir ramasse-miettes est installé dans l'appareil.

Il est déconseillé de griller des produits enrobés ou beurrés, comme du pain à l'ail, des tartines au fromage ou des brioches. Les résidus réduiront la performance du grille-pain et pourraient l'enflammer. L'utilisation du grille-pain pour griller les aliments cités précédemment annulera la garantie de l'appareil.



Panneau de commande TPT-208 et TPT-240

Généralités

Le grille-pain à éjection automatique est conçu pour assurer une durabilité et une efficacité maximales tout en réduisant la fréquence des opérations de maintenance.

AVERTISSEMENT

DANGER DE DÉCHARGE ÉLECTRIQUE :

- Débranchez le câble d'alimentation et laissez l'appareil refroidir avant d'effectuer le nettoyage, des réglages, l'entretien ou d'essayer de retirer un élément bloqué à l'intérieur.
- **NE PAS immerger dans l'eau ou mouiller abondamment. L'appareil n'est pas étanche. N'allumez pas l'appareil s'il a été immergé ou mouillé abondamment.**
- L'appareil n'est pas résistant aux projections. N'utilisez pas de pulvérisation de jets nettoyants pour nettoyer l'appareil.
- Ne nettoyez pas l'appareil à la vapeur et n'utilisez pas de l'eau en quantité excessive.
- Ne renversez pas de liquides dans l'appareil.
- L'appareil doit être entretenu uniquement par des personnes qualifiées. Un entretien réalisé par des personnes non qualifiées peut entraîner des décharges électriques ou provoquer des brûlures.

Cet appareil ne contient aucune pièce réparable par l'utilisateur. Si cet appareil doit être réparé, contacter un réparateur Hatco agréé ou le Service après-vente Hatco au 800-558-0607 ou 414-671-6350.

NOTA: Submerger le grille-pain dans l'eau peut endommager l'appareil et entraînera l'annulation de la garantie de celui-ci.

Nettoyage quotidien

Pour préserver la finition du grille-pain, il est recommandé de nettoyer quotidiennement les surfaces métalliques de l'appareil à l'aide d'un chiffon doux et humide.

AVERTISSEMENT

DANGER DE DÉCHARGE ÉLECTRIQUE : Ne nettoyez pas l'appareil tant qu'il est branché ou chaud.

1. Débranchez le cordon d'alimentation et laissez l'unité refroidir.
2. Retirez les tiroirs ramasse-miettes et videz-les. **ATTENTION! DANGER DE BRÛLURE—Veuillez retirer les tiroirs ramasse-miettes pour les laver uniquement lorsque l'appareil est froid.**
3. Lavez les tiroirs ramasse-miettes avec de l'eau tiède et un savon doux. Rincez ensuite à l'eau.
4. Laissez les tiroirs ramasse-miettes sécher à l'air ou séchez-les à l'aide d'un chiffon doux avant de les replacer dans le grille-pain.
5. Nettoyez la surface extérieure du grille-pain avec un chiffon humide. **AVIS: Utilisez uniquement des nettoyants non abrasifs et des chiffons doux.**
6. Essuyez avec un chiffon propre, sec et doux.

⚠ AVERTISSEMENT

La réparation de cet appareil doit être confiée exclusivement à du personnel qualifié. Les réparations par des personnes non qualifiées peuvent provoquer des décharges électriques et des brûlures.

⚠ AVERTISSEMENT

DANGER DE DÉCHARGE ÉLECTRIQUE : Débranchez le câble d'alimentation et laissez l'appareil refroidir avant d'effectuer le nettoyage, des réglages, l'entretien ou d'essayer de retirer un élément bloqué à l'intérieur.

Symptômes	Causes Probables	Action Correctrice
Pain grillé trop clair.	Le bouton COLOR CONTROL (contrôle de la couleur) est positionné sur un réglage clair.	Placez le bouton COLOR CONTROL (contrôle de la couleur) sur un réglage plus foncé.
	La tension d'alimentation de l'appareil est faible.	Vérifiez que la tension d'alimentation correspond aux spécifications de l'appareil.
Pain grillé trop foncé.	Le bouton COLOR CONTROL (contrôle de la couleur) est positionné sur un réglage foncé.	Placez le bouton COLOR CONTROL (contrôle de la couleur) sur un réglage plus clair.
	La tension d'alimentation de l'appareil est élevée.	Vérifiez que la tension d'alimentation correspond aux spécifications de l'appareil.
L'appareil met trop de temps pour griller le pain.	Les premières fournées peuvent être plus longues car le grille-pain a besoin de temps pour chauffer au démarrage.	Avant d'insérer le pain, enfoncez le ou les levier(s) d'utilisation pour démarrer un cycle de grillage et permettre au grille-pain de chauffer.
	La tension d'alimentation de l'appareil est faible.	Vérifiez que la tension d'alimentation correspond aux spécifications de l'appareil.
L'appareil grille le pain d'un seul côté uniquement.	Le bouton TOAST/BAGEL est placé sur la position BAGEL (grille une seule face).	Enfoncez le bouton TOAST/BAGEL pour mettre le grille-pain en position TOAST (grillage des deux côtés).
	Élément chauffant défectueux.	Vérifiez visuellement l'élément chauffant dans le grille-pain lorsque le levier d'utilisation est enfoncé. Lorsque le levier est enfoncé, l'élément chauffant doit être rouge. Si l'élément ne devient pas rouge, contactez un agent d'entretien agréé ou Hatco pour obtenir une assistance.
L'élément chauffant ne s'allume pas du tout lorsque le levier d'utilisation est enfoncé.	L'interrupteur est peut-être cassé.	Contactez Hatco pour obtenir une assistance.
Le levier d'utilisation ne se verrouille pas.	Le mécanisme de verrouillage est casé.	Contactez Hatco pour obtenir une assistance.
Le grille-pain déclenche le disjoncteur ou le disjoncteur différentiel.	Le disjoncteur n'est pas correctement dimensionné pour le grille-pain. <i>NOTA: Les grille-pain de la gamme TPT requièrent un circuit dédié.</i>	Vérifiez la taille du disjoncteur.
	Défaut de câblage dans le grille-pain.	Contactez Hatco pour obtenir une assistance.

Vous avez des questions en ce qui concerne les pannes ?

Si le problème persiste, veuillez contacter l'agence d'entretien agréée Hatco la plus proche ou Hatco pour obtenir une assistance. Pour trouver l'agence d'entretien la plus proche, rendez-vous sur le site Internet de Hatco (www.hatcocorp.com) et cliquez sur Trouver un agent d'entretien, ou contactez l'équipe d'entretien et de pièces détachées de Hatco :

Numéro de téléphone: 800-558-0607 ou 414-671-6350

Courriel: partsandservice@hatcocorp.com

1. GARANTIE DU PRODUIT

Hatco garantit que les produits qu'il fabrique (les « Produits ») sont exempts de défauts de matériel et de fabrication, dans des conditions normales d'utilisation et de maintenance, pour une période d'un (1) an à partir de la date d'achat à condition que l'appareil soit installé et entretenu conformément aux instructions écrites de Hatco ou 18 mois après la date de l'expédition par Hatco. L'acheteur doit prouver la date d'achat du Produit par l'enregistrement de ce dernier auprès de Hatco ou par d'autres moyens satisfaisants pour Hatco, à sa seule discrétion.

Hatco garantit que les composants du Produit suivants sont exempts de défauts de matériel et de fabrication à partir de la date d'achat (sous réserve des conditions précédentes) pour la ou les périodes de temps et en fonction des conditions listées ci-dessous :

a) Garantie d'un (1) an pour les pièces et la main-d'œuvre PLUS un (1) an supplémentaire pour les pièces uniquement :

Éléments du grille-pain à convoyeur (enveloppe métallique)
 Éléments des tiroirs chauffants (enveloppe métallique)
 Tiroirs, roues et glissières des tiroirs chauffants
 Éléments des rampes chauffantes (enveloppe métallique)
 Éléments des vitrines chauffantes
 (enveloppe métallique, air chauffant)
 Éléments des armoires de stockage
 (enveloppe métallique, air chauffant)
 Éléments des compartiments chauffants —
 série HW et HWB (enveloppe métallique)

b) Garantie de deux (2) ans pour les pièces et la main-d'œuvre :

Gammes à induction

c) Garantie d'un (1) an pour les pièces et la main-d'œuvre PLUS quatre (4) ans pour les pièces uniquement :

Cuves 3CS et FR

d) Garantie d'un (1) an pour les pièces et la main-d'œuvre PLUS neuf (9) ans pour les pièces uniquement :

Cuves des appareils de chauffage d'appoint électriques
 Cuves des appareils de chauffage d'appoint à gaz

e) Garantie de quatre-vingt-dix (90) jours pour les pièces uniquement :

Pièces de rechange

LES GARANTIES PRÉCÉDENTES SONT EXCLUSIVES ET REMPLACENT TOUTES AUTRES GARANTIES, EXPRESSES OU IMPLICITES, COMPRENANT, MAIS NE SE LIMITANT PAS, À TOUTES GARANTIES IMPLICITES DE QUALITÉ MARCHANDE OU DE FINALITÉ PARTICULIÈRE OU TOUTS BREVETS OU TOUTES AUTRES ATTEINTES AUX DROITS DE LA PROPRIÉTÉ INTELLECTUELLE. Sans restreindre la portée générale des énoncés précédents, CES GARANTIES NE COUVRENT PAS LES ÉLÉMENTS SUIVANTS : ampoules d'éclairage à incandescence enduites, lumières fluorescentes, ampoules de lampes chauffantes, ampoules d'éclairage à halogène enduites, ampoules de lampes chauffantes au xénon, tubes d'éclairage DEL, composants en verre et fusibles ; défaut de produit dans la cuve d'un appareil de chauffage d'appoint, dans un échangeur de chaleur à tubes à ailettes ou tout autre équipement de chauffage d'eau causé par la calcification, l'accumulation de sédiments, la réaction d'un produit chimique ou le gel ; ou une mauvaise utilisation, une manipulation ou une mauvaise application, une installation inappropriée du Produit ou l'utilisation d'une tension inappropriée.

2. LIMITES DES RECOURS ET DES DOMMAGES

La responsabilité de Hatco et la seule voie de recours de l'Acheteur prévues par les présentes seront limitées exclusivement, au gré de Hatco, à la réparation ou au remplacement à l'aide de pièces ou de Produits nouveaux ou remis à neuf par Hatco ou un centre de réparation agréé par Hatco (sauf si l'Acheteur se situe hors des États-Unis, du Canada, du Royaume-Uni ou de l'Australie, auquel cas la responsabilité de Hatco et la seule voie de recours de l'Acheteur seront limitées exclusivement au remplacement des pièces concernées par la garantie) à l'égard de toute revendication effectuée dans les délais de garantie applicables mentionnés ci-dessus. Hatco se réserve le droit d'accepter ou de rejeter toute réclamation en partie ou dans son intégralité. Dans le cadre de cette Garantie limitée, « remis à neuf » signifie une pièce ou un Produit dont les caractéristiques techniques d'origine ont été restaurées par Hatco ou un centre de réparation agréé par Hatco. Hatco n'acceptera aucun retour de Produits sans qu'il n'ait auparavant donné son accord écrit, et tous ces retours approuvés doivent être effectués aux seuls frais de l'Acheteur. HATCO NE SERA PAS TENU RESPONSABLE, DANS AUCUNE CIRCONSTANCE, DES DOMMAGES CONSÉCUTIFS OU INDIRECTS, COMPRENANT, MAIS NE SE LIMITANT PAS, AUX COÛTS DE MAIN-D'ŒUVRE OU PERTES DE PROFITS DUS À UNE UTILISATION OU À UNE IMPOSSIBILITÉ D'UTILISER LES PRODUITS OU DUS AU FAIT QUE LES PRODUITS ONT ÉTÉ INTÉGRÉS DANS OU QU'ILS SONT DEVENUS UN COMPOSANT DE TOUT AUTRE PRODUIT OU BIEN.

INFORMATIONS DE SERVICE**États-Unis et Canada**

La garantie couvrant les grille-pain de la gamme TPT Hatco est valable un (1) an à compter de la date d'achat ou 18 mois à compter de la date d'expédition par Hatco, selon l'événement intervenant en premier lieu.

Problèmes relevant de la garantie

Si vous rencontrez un problème avec un grille-pain TPT durant la période de garantie, veuillez prendre contact avec l'équipe chargée de l'entretien et des pièces de Hatco aux coordonnées suivantes :

Téléphone : 800-558-0607 ou 414-671-6350

Courriel : partsandservice@hatcocorp.com

Lorsque vous contactez Hatco dans le cadre de la garantie, merci de fournir les informations suivantes :

- Modèle de l'appareil
- Numéro de série (situé sous l'appareil)
- Problème spécifique rencontré avec l'appareil

- Date d'acquisition
- Nom de l'entreprise
- Adresse postale
- Nom et coordonnées téléphoniques de la personne référente

Problèmes ne relevant pas de la garantie

Si vous rencontrez un problème ne relevant pas de la garantie et pour lequel vous avez besoin d'aide, veuillez contacter l'agence d'entretien agréée Hatco la plus proche.

Pour trouver l'agence d'entretien la plus proche, rendez-vous sur notre site Internet (www.hatcocorp.com) et cliquez sur « Service Agency Locator » (Trouver un agent d'entretien), ou contactez par téléphone l'équipe d'entretien et de pièces détachées de Hatco.

AUTHORIZED PARTS DISTRIBUTORS • DISTRIBUTEURS DE PIÈCES AUTORISÉS

ALABAMA

Jones McLeod Appl. Svc.
Birmingham 205-251-0159

ARIZONA

Service Solutions Group
Phoenix 602-234-2443

Byassee Equipment Co.
Phoenix 602-252-0402

CALIFORNIA

Industrial Electric
Commercial Parts & Service, Inc.
Huntington Beach 714-379-7100

Chapman Appl. Service
San Diego 619-298-7106

P & D Appliance
Commercial Parts & Service, Inc.
S. San Francisco 650-635-1900

COLORADO

Hawkins Commercial Appliance
Englewood 303-781-5548

FLORIDA

Whaley Foodservice Repair
Jacksonville 904-725-7800

Whaley Foodservice Repair
Orlando 407-757-0851

B.G.S.I.
Pompano Beach 954-971-0456

Comm. Appliance Service
Tampa 813-663-0313

GEORGIA

TWC Services
Mableton 770-438-9797

Heritage Service Group
Norcross 866-388-9837

Southeastern Rest. Svc.
Norcross 770-446-6177

HAWAII

Burney's Comm. Service, Inc.
Honolulu 808-848-1466

Food Equip Parts & Service
Honolulu 808-847-4871

ILLINOIS

Parts Town
Lombard 708-865-7278

Eichenauer Elec. Service
Decatur 217-429-4229

Midwest Elec. Appl. Service
Elmhurst 630-279-8000

Cone's Repair Service
Moline 309-797-5323

INDIANA

GCS Service
Indianapolis 800-727-8710

IOWA

Goodwin Tucker Group
Des Moines 515-262-9308

KENTUCKY

Service Solutions Group
Lexington 859-254-8854

Service Solutions Group
Louisville 502-451-5411

LOUISIANA

Chandlers Parts & Service
Baton Rouge 225-272-6620

MARYLAND

Electric Motor Service
Baltimore 410-467-8080

GCS Service
Silver Spring 301-585-7550

MASSACHUSETTS

Ace Service Co., Inc.
Needham 781-449-4220

MICHIGAN

Bildons Appliance Service
Detroit 248-478-3320

Commercial Kitchen Service
Bay City 989-893-4561

Midwest Food Equip. Service
Grandville 616-261-2000

MINNESOTA

GCS Service
Minnetonka 800-822-2303
x20365

MISSOURI

General Parts
Kansas City 816-421-5400

Commercial Kitchen Services
St. Louis 314-890-0700

Kaemmerlen Parts & Service
St. Louis 314-535-2222

NEBRASKA

Anderson Electric
Omaha 402-341-1414

NEVADA

Burney's Commercial
Las Vegas 702-736-0006

Hi. Tech Commercial Service
N. Las Vegas 702-649-4616

NEW JERSEY

Jay Hill Repair
Fairfield 973-575-9145

Service Plus
Flanders 973-691-6300

NEW YORK

Acme American Repairs, Inc.
Jamaica 718-456-6544

Alpro Service Co.
Maspeth 718-386-2515

Appliance Installation
Buffalo 716-884-7425

Duffy's Equipment Services, Inc.
Buffalo 800-836-1014

3Wire Northern
Plattsburgh 800-634-5005

Duffy's Equipment Services, Inc.
Sauquoit 800-836-1014

J.B. Brady, Inc.
Syracuse 315-422-9271

NORTH CAROLINA

Authorized Appliance
Charlotte 704-377-4501

OHIO

Akron/Canton Comm. Svc. Inc.
Akron 330-753-6634

Service Solutions Group
Cincinnati 513-772-6600

Commercial Parts and Service
Columbus 614-221-0057

Electrical Appl. Repair Service
Brooklyn Heights 216-459-8700

E. A. Wichman Co.
Toledo 419-385-9121

OKLAHOMA

Hagar Rest. Service, Inc.
Oklahoma City 405-235-2184

Krueger, Inc.
Oklahoma City 405-528-8883

OREGON

Ron's Service, Inc.
Portland 503-624-0890

PENNSYLVANIA

Elmer Schultz Services
Philadelphia 215-627-5401

FAST Comm. Appl. Service
Philadelphia 215-288-4800

Appliance Installation & Service
Pittsburgh 412-809-0244

K & D Service Co.
Harrisburg 717-236-9039

Electric Repair Co.
Reading 610-376-5444

RHODE ISLAND

Marshall Electric Co.
Providence 401-331-1163

SOUTH CAROLINA

Whaley Foodservice Repair
Lexington 803-996-9900

TENNESSEE

Camp Electric
Memphis 901-527-7543

TEXAS

GCS Service
Fort Worth 800-433-1804

Armstrong Repair Service
Houston 713-666-7100

Cooking Equipment Specialist
Mesquite 972-686-6666

Commercial Kitchen Repair Co.
San Antonio 210-735-2811

UTAH

La Monica's Rest. Equip. Service
Murray 801-263-3221

VIRGINIA

Daubers
Norfolk 757-855-4097

Daubers
Springfield 703-866-3600

WASHINGTON

3Wire Restaurant Appliance
Seattle 800-207-3146

WISCONSIN

A.S.C., Inc.
Madison 608-246-3160

A.S.C., Inc.
Milwaukee 414-543-6460

CANADA

ALBERTA

Key Food Equipment Service
Edmonton 780-438-1690

BRITISH COLUMBIA

Key Food Equipment Service
Vancouver 604-433-4484

Key Food Equipment Service
Victoria 250-920-4888

MANITOBA

Air Rite, Inc.
Winnipeg 204-895-2300

NEW BRUNSWICK

EMR Services, Ltd.
Moncton 506-855-4228

ONTARIO

R.G. Henderson Ltd.
Toronto 416-422-5580

Choquette - CKS, Inc.
Ottawa 613-739-8458

QUÉBEC

Choquette - CKS, Inc.
Montreal 514-722-2000

Choquette - CKS, Inc.
Québec City 418-681-3944

UNITED KINGDOM

Marren Group
Northants +44(0)1933 665313

HATCO CORPORATION

P.O. Box 340500

Milwaukee, WI 53234-0500 U.S.A.

800-558-0607 414-671-6350

partsandservice@hatcocorp.com

www.hatcocorp.com

Register your unit online!

See IMPORTANT OWNER INFORMATION
section for details.

S'inscrire en ligne!

Lisez la section INFORMATIONS IMPORTANTES
POUR LE PROPRIÉTAIRE pour plus de informations.